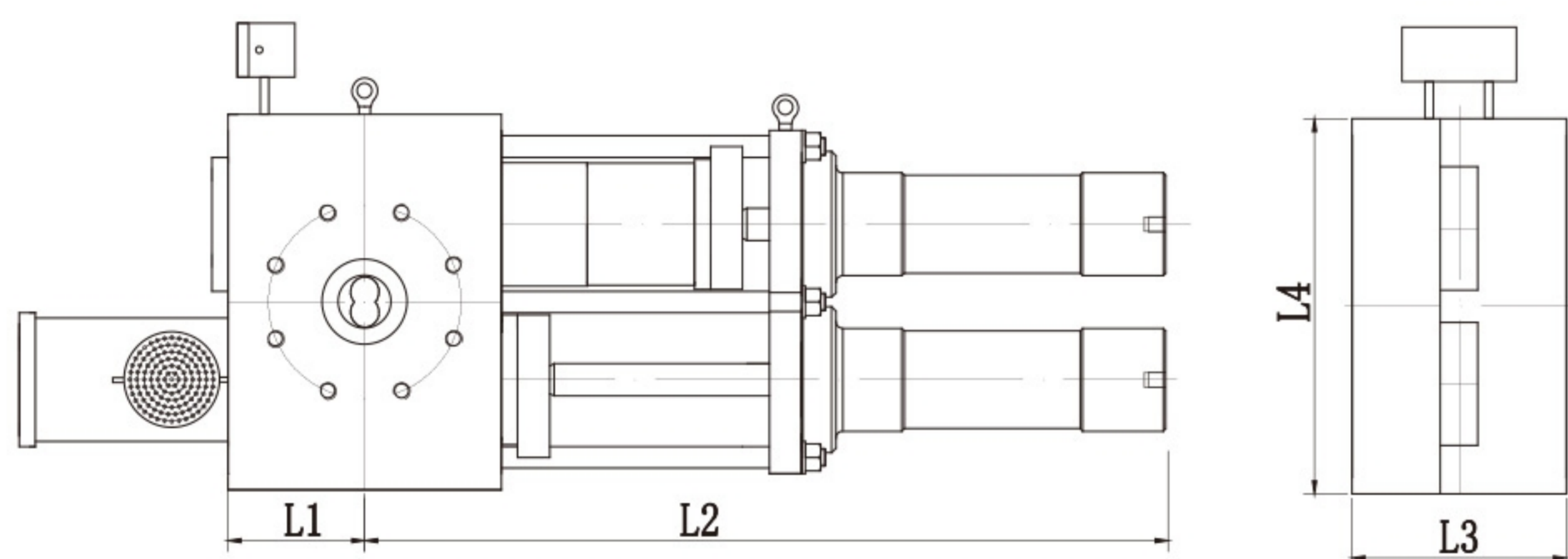
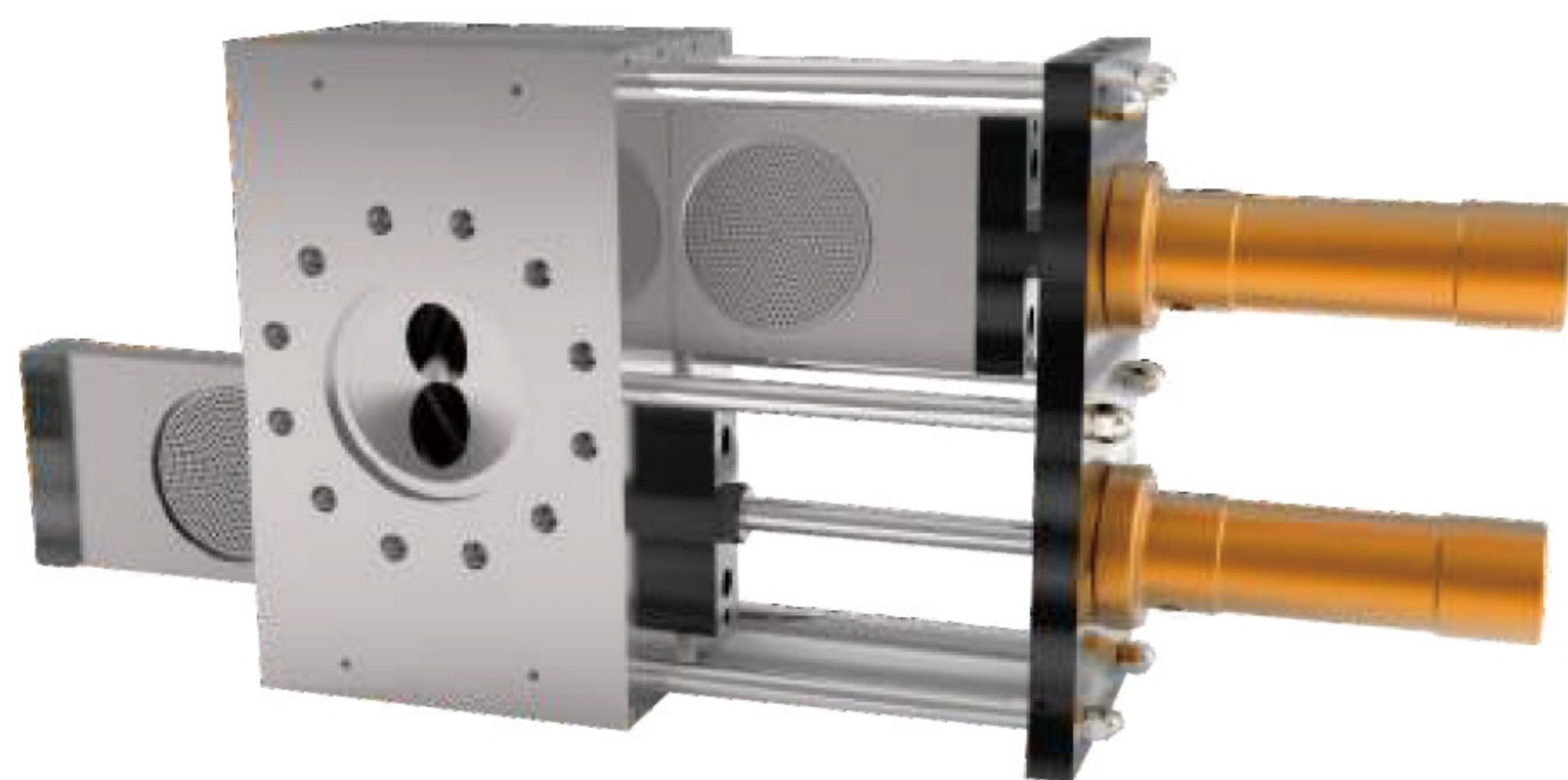


双板双工位连续液压换网过滤器

Double pillar continuous hydraulic screen changer with double working station

产品介绍:

Product Introduction:



- 本系列换网器为双通道双滤网结构，换网时一网工作，一网更换
- 设计有引料排气结构，换网不中断料流，达到不停机换网
- 适合所有的聚合物的挤出生产要求。
- 换网过程不间断生产，对挤出机生产不会造成明显的波动
- 可承受25-30Mpa的熔体压力，不影响其使用性能
- 用于化纤、吹膜、平膜、流延膜生产，管材、板材、线材、纤维的制造，切粒机，回收等。

- It realizes non stop screen changing operation by two pillar with double filtering areas.
- Designed lead material exhaust structure, during changing screen with material flow no stop, then realize no stop changing screen.
- Suitable for most polymer extruded production.
- During changing screen with no stop production, it can not cause fluctuation to extruders.
- It can work well in 25-30Mpa pressure condition.
- It is used for chemical, blown film, flat film, cast film, pipe, plate, wire, fiber, cutting line, recycling and so on.

技术参数:

Technical Parameter:

产品规格型号 type	相关产量output kg/h	轮廓尺寸(mm) size				滤网尺寸screen size		加热器Heating tube		
		L1	L2	L3	L4	直径 (mm)	面积 (cm ²)	数量	电压 (V)	加热功率 (W)
ZB-DSP-80	110~300	140	775	220	330	Ø80	50x2	6	230/400	1200/1700
ZB-DSP-100	180~500	170	895	250	400	Ø100	78x2	6	230/400	1600/2000
ZB-DSP-130	350~800	200	1005	310	470	Ø130	132x2	6	230/400	2000/2400
ZB-DSP-160	450~1200	245	1170	350	560	Ø160	200x2	6	230/400	2400/3000
ZB-DSP-180	500~1500	290	1335	440	600	Ø180	254x2	6	230/400	4000/4800
ZB-DSP-210	800~2500	320	1455	450	670	Ø210	346x2	8	230/400	4500/5300
ZB-DSP-250	1400~3700	395	1760	490	760	Ø250	490x2	8	230/400	5000/6000

注：实际产量取决于物料的流动性、过滤精度以及物料的纯净度。参数如有变动恕不另行通知。

Note: The actual output depends on material flowability, filter fineness and material purity. Specifications are subject to change without prior notice